



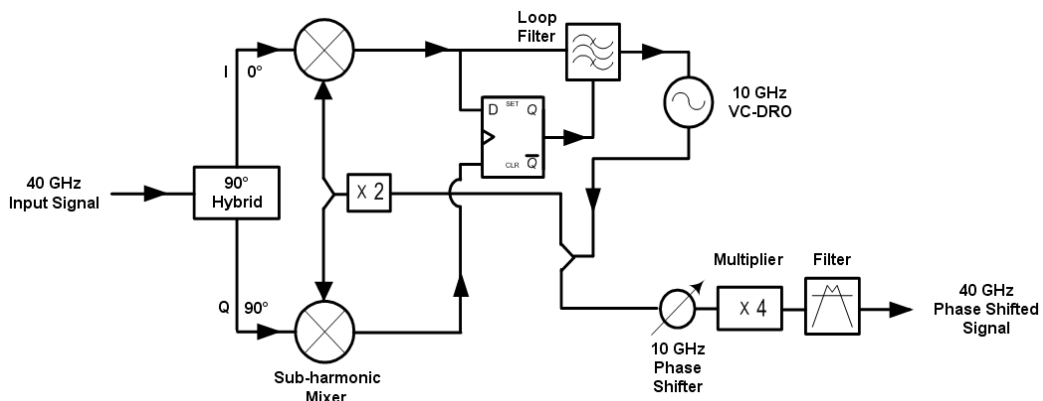
### Description

The PS-40G/PS-43G module is a reflection-type analog phase shifters with a phase-locked loop (PLL) at 40/43 GHz. The input signal is phase-locked with a dielectric resonator oscillator (DRO), and continuously phase-shifted electrically. These PS series modules can be used to phase-shift 40/43 GHz clock signal for data retiming.

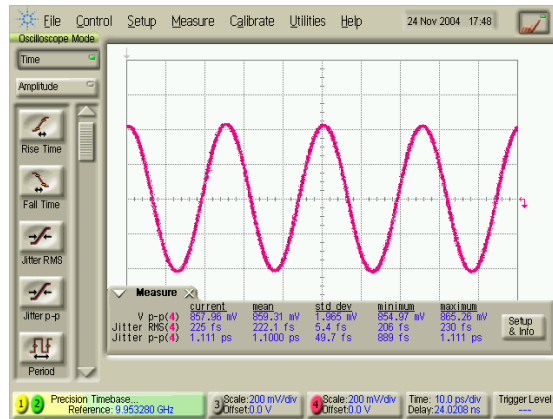
### Features

- ✓ Uses phase-locked loop.
- ✓ Produces constant output power.
- ✓ Low return loss.
- ✓ Low jitter.
- ✓ Continuous phase shifting.
- ✓ 30 MHz bandwidth (with a mechanically tunable DRO).

### Block Diagram



### Output Waveform



40 GHz Output Signal

### Specifications

Parameter	Unit	Min.	Typ.	Max.	Condition
Operating Frequency	Gb/s	38.5	39.813	41	Tunable DRO
		39.798	39.813	39.828	Typical
Bandwidth	MHz		30		with tuned DRO
Input Power Level	dBm	-4	2	16	
Output Power Level	dBm	0	3	4	
Control Voltage	V	0		12	
Phase Shift Capability	deg		640		
Phase Shift Linearity	° / V		54		
RMS Jitter	fs		223		
<b>General</b>					
Dimension	mm				63 x 110 x 40
Power Supply	V				6, -5
Supply Current	mA				470 (@6 V) 45 (@-5 V)
Power Consumption	W		3		
<b>Connector Type</b>					
Input Port					2.4mm-female
10 GHz Output Port					SuperSMA-female
40 GHz Output Port					2.4mm-female